

Standalone access control K3-3

Main Features:

- > Backlit keypad, durable matt case.
- > Multi-function, operating as access control or card reader, suitable for various occasions.
- > The unit accepts up to 500 users, allow entry via a 4-6 digits PIN and/or by presenting a proximity EM card.
- > Easy wiring of lock

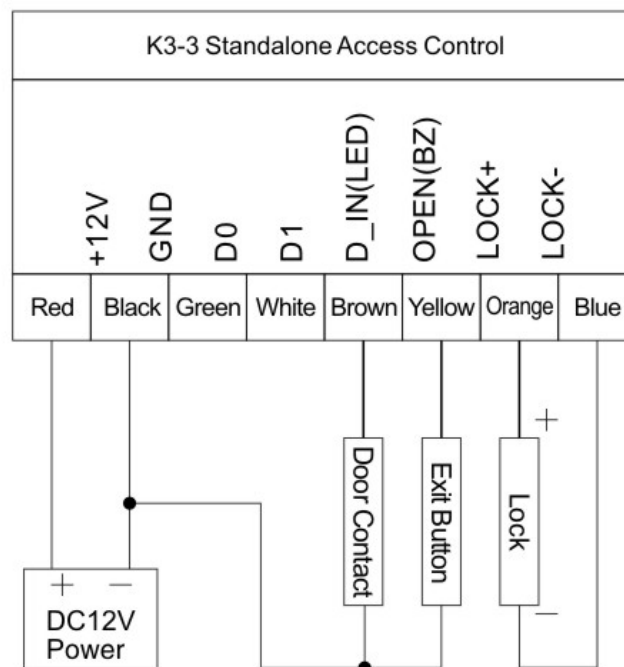
Specifications:

- > Operating voltage range: DC12-24V
- > Idle current: $\leq 20\text{mA}$
- > Max proximity card read range: 5-8cm
- > Excitation Frequency: 125KHz
- > Card transmit format: Wiegand 26
- > Keypad transmit format: 4-6 digits key press to output card number format. Each press
- > Outputs a 4 bits or 8 bits data.
- > Dimension: L90mm x W60mm x H27mm
- > Operating temperature range: $-40\sim 60^{\circ}\text{C}$
- > Operating humidity: 0~95% (non-condensing)

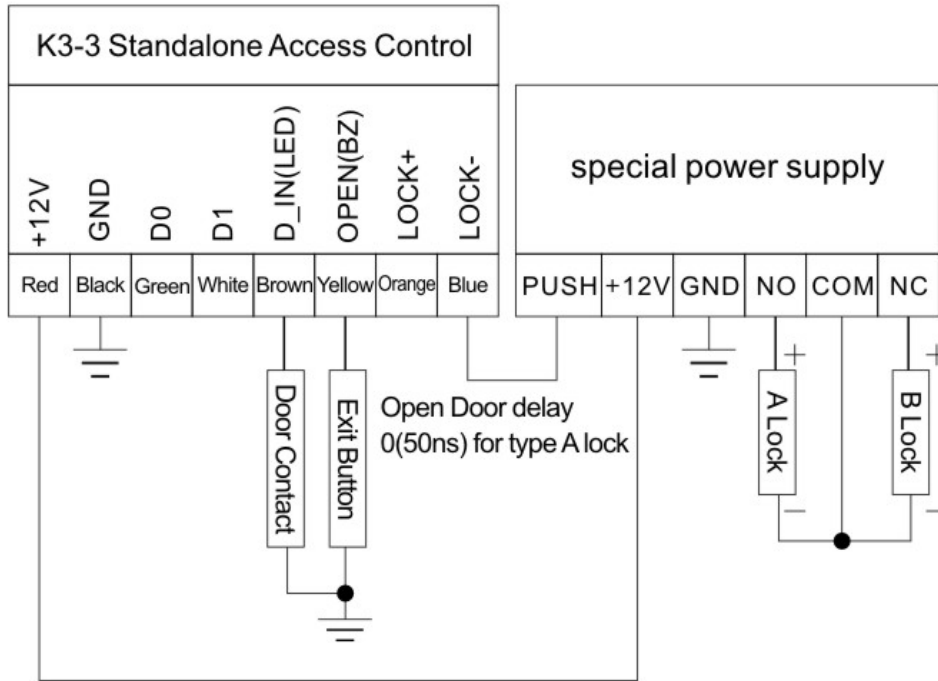


Connection Diagram:

Wiring diagram (DC 12V power supply)



Wiring diagram (special power supply for access control)



Reader Mode

